

# Product datasheet

Specifications



regulated SMPS - single phase -  
100..240 V input - 24 V output - 150  
W

ABL1RPM24062

⚠ Discontinued on: 20-Dec-2020

⚠ End-of-service on: 30-Jun-2022

⚠ Discontinued

## Main

Range of product	Phaseo Dedicated
Product or component type	Power supply
Power supply type	Regulated switch mode
Rated power in W	150 W
Main Input Voltage	100...120 V AC single phase 200...240 V AC single phase 180...370 V DC
Output voltage	24 V DC
Power supply output current	6.2 A
Operating position	Any position
Vibration resistance	2 gn (f= 9...150 Hz) conforming to EN/IEC 61131-2 3.5 mm (f= 5...9 Hz) conforming to EN/IEC 61131-2
Name of test	Conducted interference conforming to EN 61000-4-8 level 4 Electrostatic discharges conforming to EN/IEC 61000-4-2 level 3 Induced electromagnetic field conforming to EN/IEC 61000-4-6 level 3 Radiated electromagnetic field conforming to EN/IEC 61000-4-3 level 3 Rapid transient conforming to IEC 61000-4-4 level 3 Conducted/radiated emissions conforming to EN 55022 class B Conducted/radiated emissions conforming to EN/IEC 55011 Emission conforming to EN/IEC 61000-6-3 Primary outage conforming to IEC 61000-4-11 Surge conforming to EN/IEC 61000-4-5

## Complementary

Input voltage limits	85...132 V 170...264 V
Network frequency	47...63 Hz
Inrush current	50 A at 115 V AC 100 A at 230 V AC
Cos phi	0.7...0.95
Efficiency	80 %
Power dissipation in W	37.5 W
Current consumption	5 A at 100 V 2.5 A at 240 V
Input protection type	Integrated fuse (not interchangeable)
Output voltage limits	21.6...26.4 V
Line and load regulation	+/- 3 %

<b>Holding time</b>	>= 10 ms at 100 V >= 40 ms at 240 V
<b>Output protection type</b>	Against overload, protection technology: 1.1...1.5 x I <sub>n</sub> Against overvoltage, protection technology: tripping if U > 1.25 x U <sub>n</sub> Against short-circuits, protection technology: automatic reset Thermal
<b>Connections - terminals</b>	For ground connection: screw type terminals, connection capacity: 1 x 4 mm <sup>2</sup> AWG 12 For input connection: screw type terminals, connection capacity: 2 x 4 mm <sup>2</sup> AWG 12 For output connection: screw type terminals, connection capacity: 4 x 4 mm <sup>2</sup> AWG 12
<b>Marking</b>	CE
<b>Mounting support</b>	Reversible mounting bracket Panel
<b>Operating altitude</b>	2000 m
<b>Output coupling</b>	Series Parallel
<b>Overvoltage category</b>	II
<b>Meantime between failure [MTBF]</b>	100000 h at 40 °C
<b>Status LED</b>	1 LED (green) output voltage
<b>Net weight</b>	0.97 kg

## Environment

<b>Product certifications</b>	EAC KC CSA 22-2 No 60950-1 RCM TUV 60950-1 UL 508 cCSAus
<b>Environmental characteristic</b>	EMC conforming to EN 50081-1 EMC conforming to EN 50082-2 EMC conforming to EN 61000-6-3 EMC conforming to EN/IEC 61000-6-2 Safety conforming to EN/IEC 60950-1 Safety conforming to SELV Low frequency harmonic currents conforming to EN/IEC 61000-3-2
<b>IP degree of protection</b>	IP20 conforming to EN/IEC 60950
<b>Ambient air temperature for operation</b>	0...45 °C (without derating) 45...60 °C (with derating factor)
<b>Ambient air temperature for storage</b>	-25...85 °C
<b>Relative humidity</b>	20...90 %
<b>Overvoltage category</b>	Class I conforming to VDE 0106-1
<b>Pollution degree</b>	2
<b>Dielectric strength</b>	1500 V between input and ground 3000 V between input and output 500 V between output and ground

## Packing Units

<b>Unit Type of Package 1</b>	PCE
<b>Number of Units in Package 1</b>	1
<b>Package 1 Height</b>	6.6 cm
<b>Package 1 Width</b>	23.5 cm
<b>Package 1 Length</b>	11.8 cm

---

Package 1 Weight	1.128 kg
------------------	----------

## Contractual warranty

---

Warranty	18 months
----------	-----------

# Environmental Data

Schneider Electric aims to achieve Net Zero status by 2050 through supply chain partnerships, lower impact materials, and circularity via our ongoing “Use Better, Use Longer, Use Again” campaign to extend product lifetimes and recyclability.

[How this information helps you >](#)

## Environmental footprint

[Environmental Disclosure](#)

[Product Environmental Profile](#)

## Use Better

### Materials and Substances

EU RoHS Directive

Pro-active compliance  
(Product out of EU RoHS legal scope)

SCIP Number

Fe64e454-324e-4d95-961c-5ccceb461cf0

China RoHS Regulation

[China RoHS declaration](#)

PVC free

Yes

## Use Again

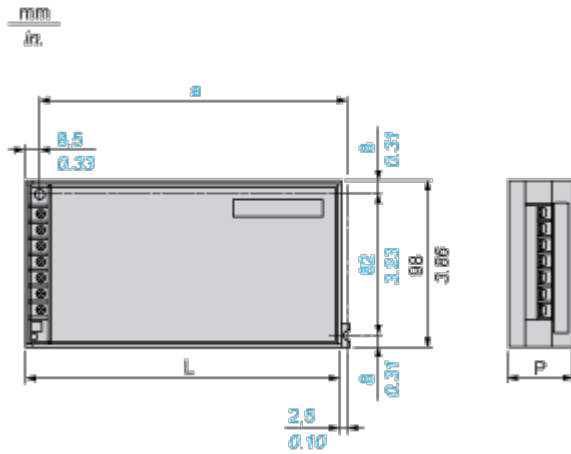
### Repack and remanufacture

[Circularity Profile](#)

[End of Life Information](#)

Dimensions Drawings

Dimensions



Dimensions in mm

a	L	P
194	200	50

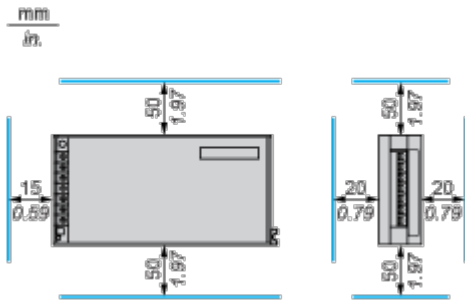
Dimensions in in.

a	L	P
7.64	7.87	1.97

Mounting and Clearance

Clearance

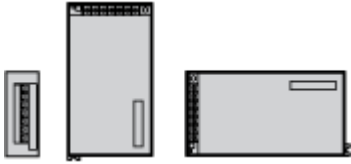
---



Mounting Way

---

Mounting on Vertical Plane

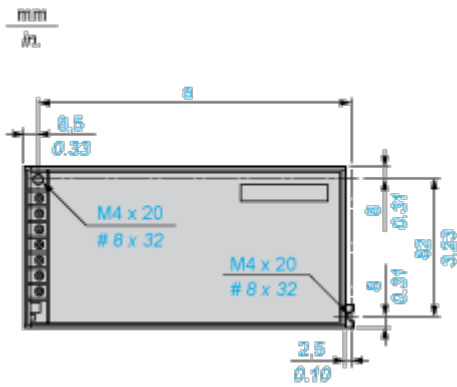


Mounting on Horizontal Plane



Direct Mounting by 2 M4 x 20 Screws

---



Dimensions in mm

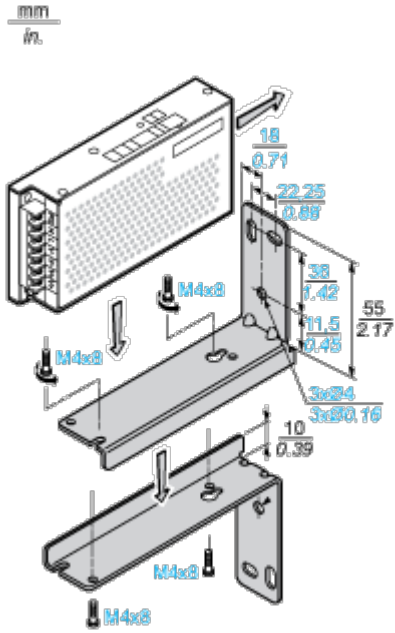
a
194

Dimensions in in

a
7.64



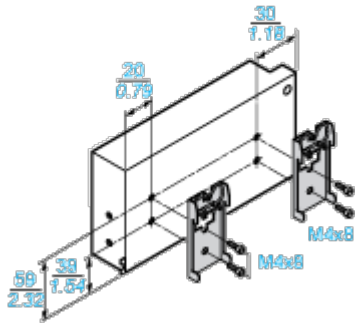
Mounting on the Back on ABL 1A01 Reversible Bracket by Three 4 mm Diameter Screws



Mounting on ABL 1A02 Clip-on Mounting on 35 mm Rail

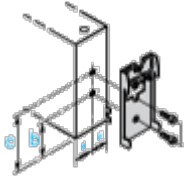
---

mm  
in.



**Mounting by the Back**

---



Dimensions in mm

b	c
28	48

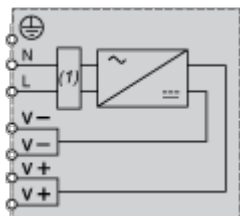
Dimensions in in.

b	c
1.10	1.89

Connections and Schema

Internal Wiring Diagram

---

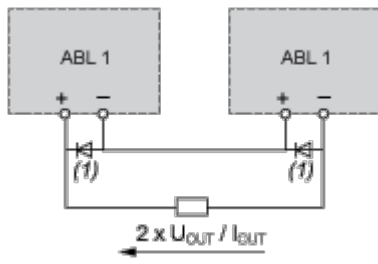


(1) Filter

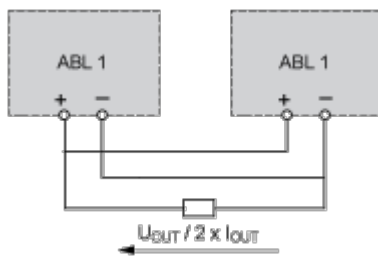
Series or Parallel Connection

---

Series Connection



Parallel Connection



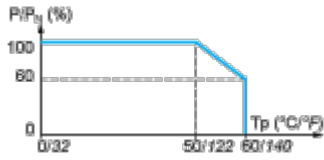
(1) 15 A/100 V Shottky diode

Performance Curves

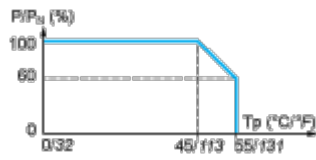
Derating Curves

---

**Mounting on Vertical Plane**



**Mounting on Horizontal Plane**



Load Limits Curve

---

